

6

5

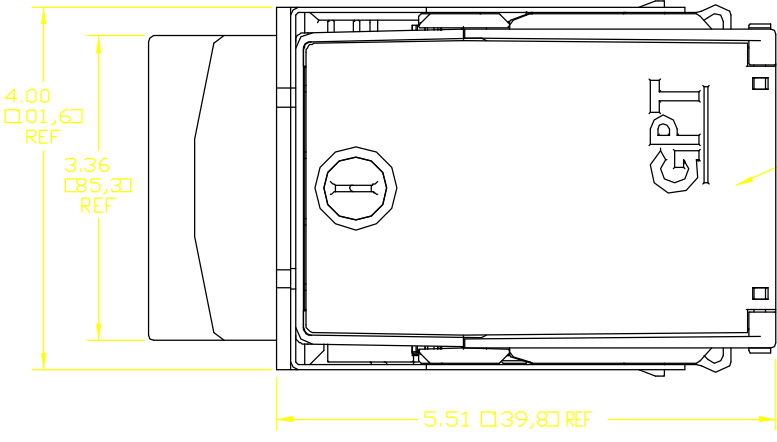
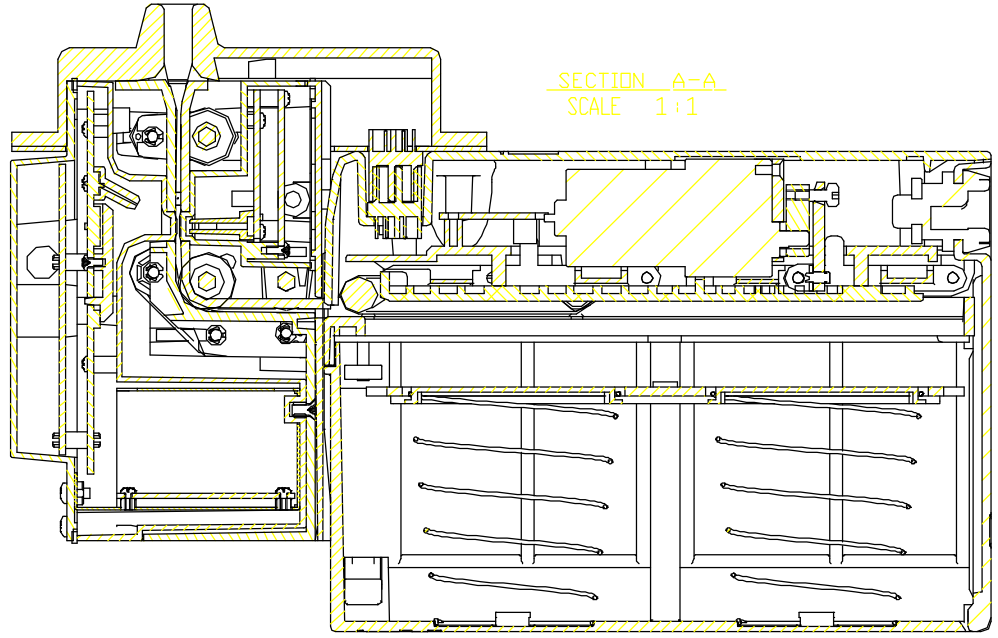
4

3

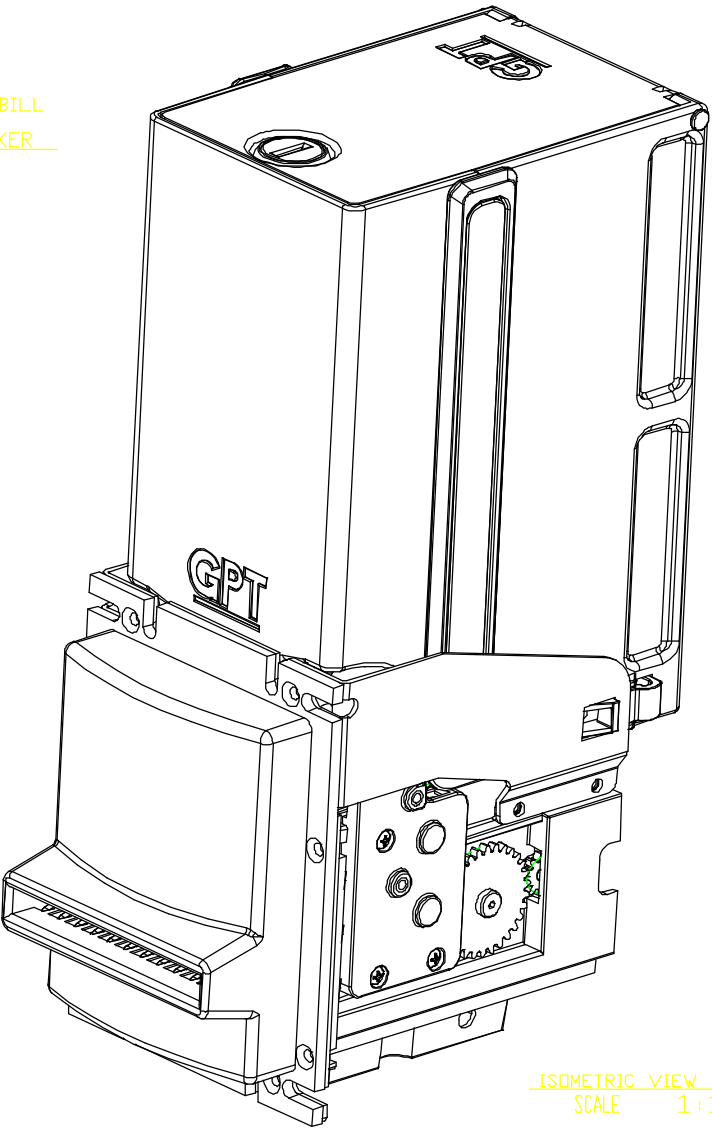
2

1

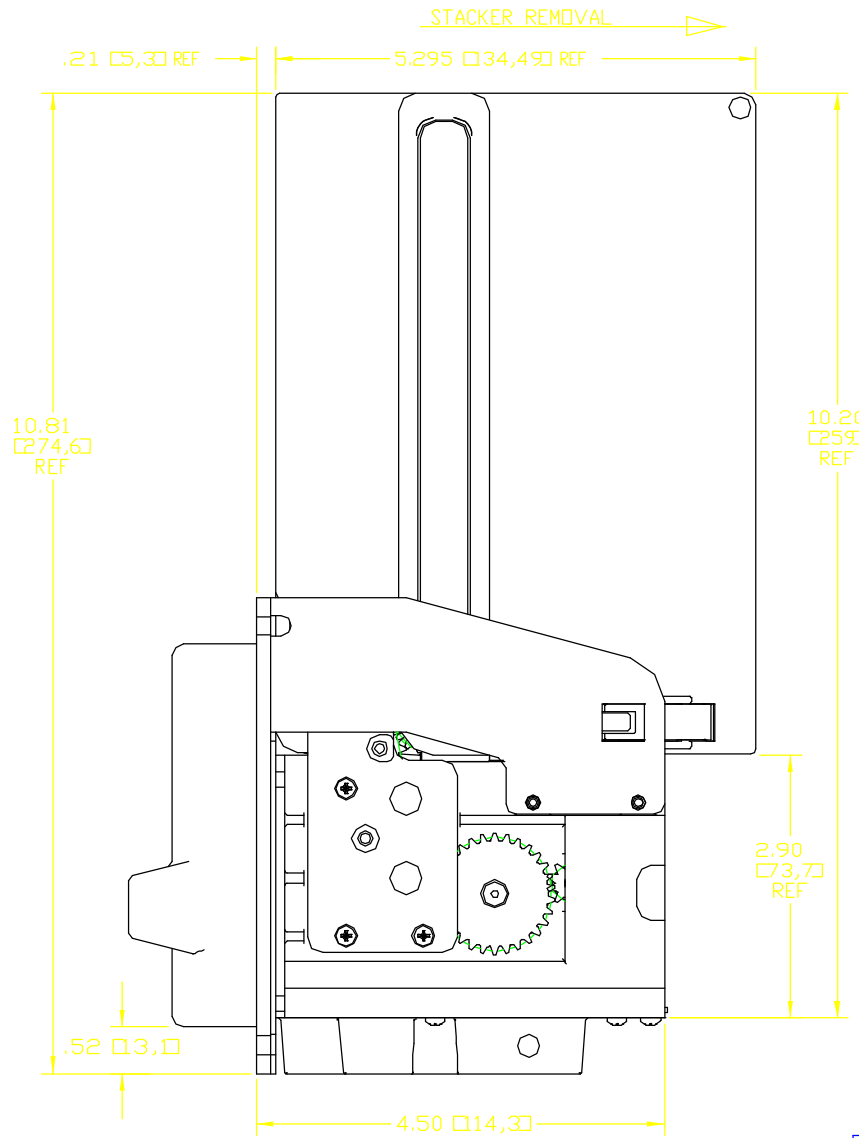
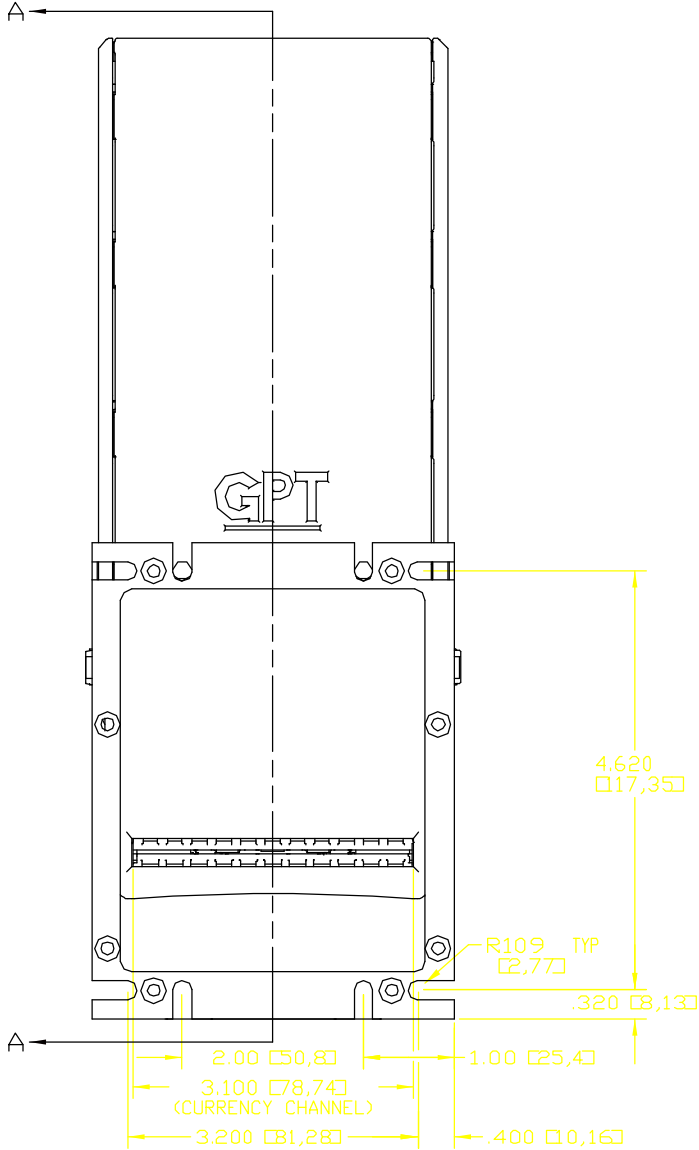
REVISIONS			
SY#	DESCRIPTION	DATE	APPROVAL
XX	PRELIMINARY / UNRELEASED	9/29/00	



400 BILL STACKER



ISOMETRIC VIEW SCALE 1:1



PROPRIETARY  
THE INFORMATION PRESENTED ON THIS DRAWING IS THE PROPERTY OF GLOBAL PAYMENT TECHNOLOGIES (GPT). ANY REPRODUCTION, DISCLOSURE OR USE OF THE DRAWING WITHOUT THE WRITTEN PERMISSION OF GPT IS PROHIBITED.

MATERIAL N / A			FINISH N / A			REMOVE BURRS/BREAK SHARP EDGES		
FRAC	DEC	ANG	TITLE			GLOBAL PAYMENT TECHNOLOGIES INC. 425B OSER AVE HAUPPAUGE N.Y. 11788		
+/-1/64	+/-0.005	+/-30'	G-3 VENDING, ASSEMBLY			SIZE	DRAWING NUMBER	REV
DO NOT SCALE DRAWING			SCALE 1:1			DATE	350D0100	XX
NEXT ASSY			DRAWN S.FRIEL			DATE		
			APPROVED			DATE		

6

5

4

3

2

1